

METFLOW CONTROLS PRIVATE LIMITED.



BALL VALVE TWO PIECE, FULL BORE

DATE

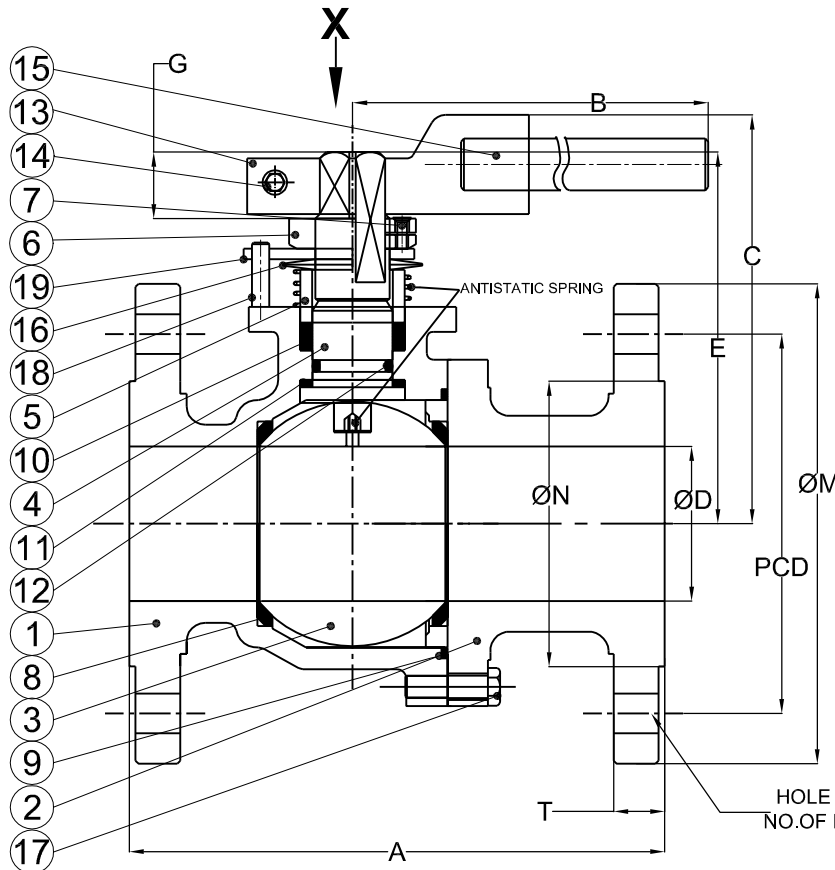
GA / SALES DRG. NO.

REV. NO

5 JUN. 2007

BV / GA / 04

00



PART NO.	PART NAME	MATERIAL OF CONSTRUCTION		
		WCB	CF8	CF8M
1	BODY	WCB	CF8	CF8M
2	END PIECE	WCB	CF8	CF8M
3	BALL	410	304	316
4	STEM	410	304	316
5	GLAND	410	304	316
6	GLAND NUT	304		
7	COUNTER SUNK SCREW	304		
8	SEAT	** PTFE/CFT/GFT		
9	BODY SEAL	PTFE		
10	STEM SEAL	GRAFOIL		
11	STEM WASHER	25% GFT		
12	'O' RING	VITON		
13	ADAPTER	STEEL		
14	CAP SCREW			
15	LEVER	STEEL		
16	DISC SPRING	SPRING STEEL		
17	HEX SCREW/STUD & NUT	* ASTM A193 Gr.B8M		
18	STOPPER PIN	410/304		
19	STOPPER PLATE	STEEL		

NOTES:

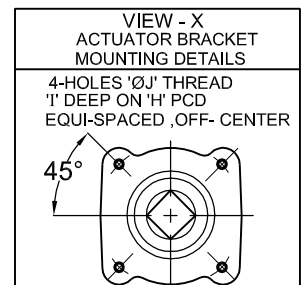
- 1) APPLICABLE ONLY FOR SIZES 15 TO 50MM
- 2) LEVER WILL HAVE RED COLOURED PVC SLEEVE.
- 3) RAISED FACE FLANGED ENDS AS PER ASME B 16.5.
- 4) * ASTM A 193 Gr.B7
- 5) FIRE SAFE TESTED AS PER API: 607 4 th EDITION.
- 6) ** PTFE FOR NON FIRE SAFE ONLY.
- 7) SOLID BALL AVAILABLE ON REQUEST
- 8) DIM. 'A' IS CONFORMS TO ASME B16.510 / API-6D

DESIGN STD : BS EN ISO 17292, TESTING STD : EN 12266 - 1

CLASS	150											ACTUATOR BRACKET MOUNTING DETAILS					
SIZE	A	B	C	ØD	WEIGHT Kgs	M	N	T	PCD	HOLE DIA	NO.OF HOLES	E	SQ. F	G	H	I	ØJ
50	178	300	135	50	10.5	150	92.1	16.5	120.7	19.1	4	122	18	20	70	8	M8
65	190	475	150	64	16.5	180	105	18	139.7	19.1	4	142	18	20	70	8	M8
80	203	478	170	76	24.0	190	127	19.5	152.4	19.1	4	154	18	24	70	8	M8
100	229	578	205	98	40.0	230	157	24.5	190.5	19.1	8	188	27	24	102	10	M10

ALL DIMENSIONS ARE IN MM

MATL.CODE	WCB	CA15	CF8	CF8M	WCB	410	304	316
MATL.SPECN.	ASTM A216	ASTM A217	ASTM A351	ASTM A351	ASTM A216	ASTM A276	ASTM A276	ASTM A276



TEST PRESSURES , Bar			
CLASS		150	300
HYD	SHELL	30	76
	SEAT	22	55
AIR	SEAT	6.9	

CUSTOMER: _____

ORDER NO: _____

JOB / PROJECT: _____

PREPARED BY: _____

CHECKED BY: _____

APPROVED BY: _____

METFLOW CONTROLS PVT, LTD. , HUBLI-580030, INDIA